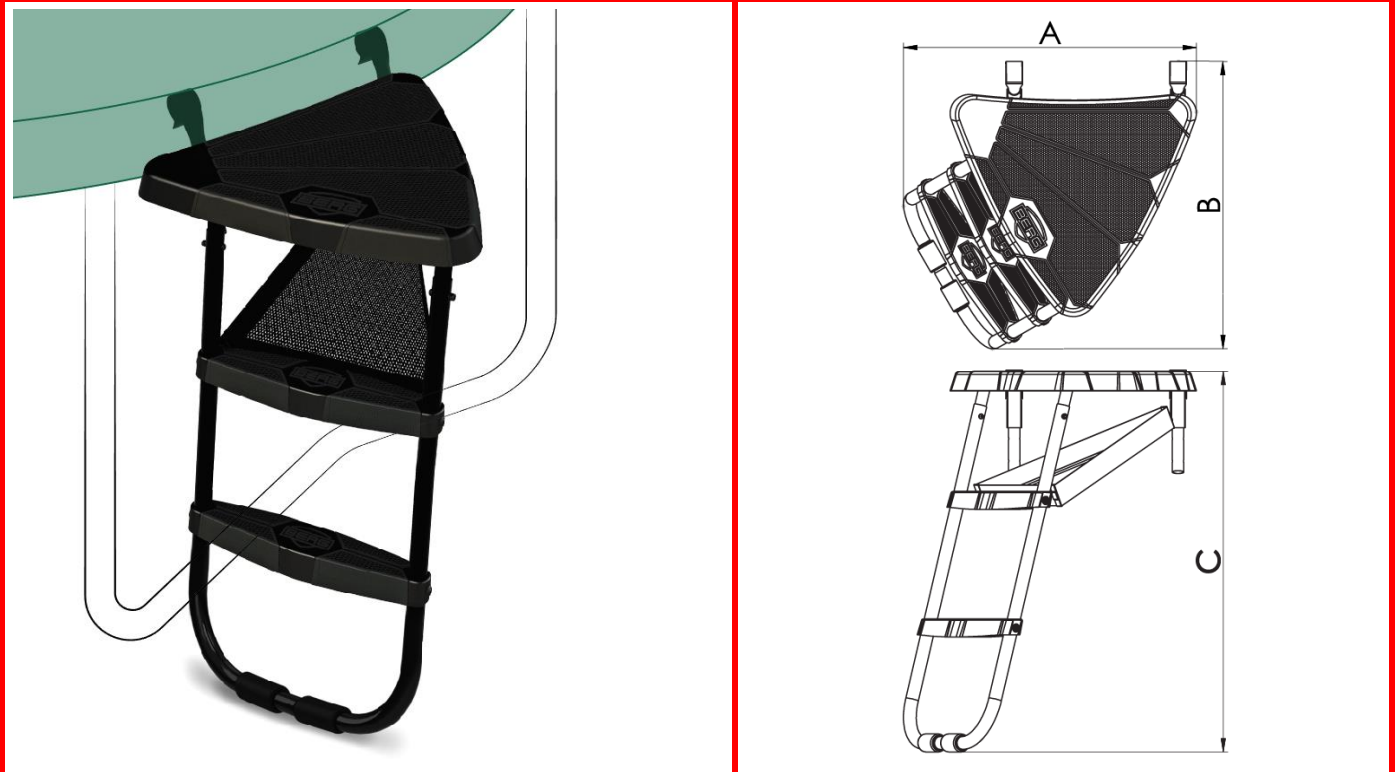




35.90.54.00 / 35.90.55.00 / 35.90.56.00

BERG Ladder Platform + Ladder L / M / S



Art. No.	Product Description	EAN-code	A x B x C	Suitable for trampoline heights:	Max. user weight	
35.90.54.00	BERG Ladder Platform + Ladder L	8715839060171	65 x 64 x 85 cm	85 / 90 / 95 cm	120 kg	CE
35.90.55.00	BERG Ladder Platform + Ladder M	8715839060188	62 x 62 x 70 cm	70 / 76 cm	120 kg	CE
35.90.56.00	BERG Ladder Platform + Ladder S	8715839060195	57 x 60 x 50 cm	50 / 60 cm	120 kg	CE

The patented BERG Ladder Platform is, together with a BERG Ladder, the perfect accessory for your trampoline. Getting on and off the trampoline becomes easier and safer. The unique shape and walking direction of platform ensure the safety net poles to be used as a guard-rail, thus giving additional safety and comfort. The large platform ensures that going in and out of the trampoline can be done easily and with a firm base. Sitting on the platform provides a great opportunity to take off or put on your shoes, with the additional shoebag offering easy storage.

Product Description	Weight (incl. boxes)	In the packaging		Packaging 1 (Ladder Platform)		Packaging 2 (Ladder)	
		Cardboard	Plastic	Box dimensions (LxBxH)	Number on pallet (Blok)	Box dimensions (LxBxH)	Number on pallet (Blok)
BERG Ladder Platform + Ladder L	7 kg	1900 g	112 g	56 x 54 x 14 cm	36	84 x 24 x 6 cm	60
BERG Ladder Platform + Ladder M	6,6 kg	1800 g	112 g	56 x 54 x 14 cm	36	68 x 24 x 6 cm	60
BERG Ladder Platform + Ladder S	5,9 kg	1700 g	112 g	56 x 54 x 14 cm	36	47 x 24 x 6 cm	100